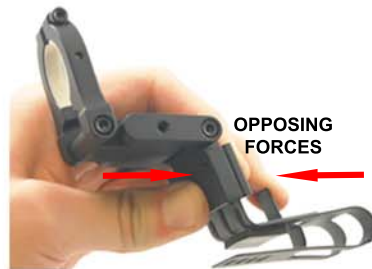
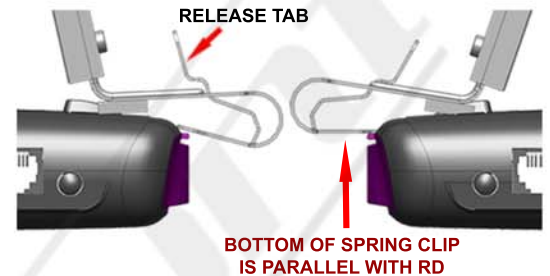




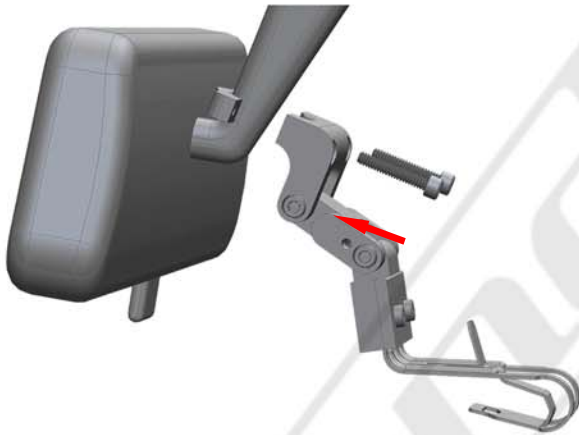
## INSTALLATION INSTRUCTIONS FOR ESCORT MAX SERIES AND BELTRONICS GT-7 RADAR DETECTORS



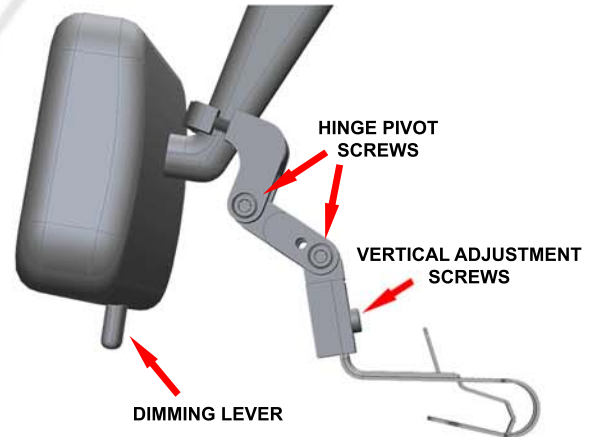
**1** - Install your radar detector (RD) onto the mount before installing it on the rear view mirror. To release tension from the spring clip, simply squeeze the release tab and the back side of the mount together. This will lower the bottom portion of the spring clip allowing you to slide the RD on and off the mount.



**2** - The bottom of the spring clip must be parallel with the top of the RD to slide in and out. **Slide the RD onto the spring clip as far as it will go.** Let go of the release tab to secure the RD onto the mount. Before installing the mount onto your rear view mirror, remove and install the RD a few times so you can observe how the spring clip functions.



**3** - Install the mount while sitting in the passenger side of your vehicle. Remove the two socket head screws so the top portion of the mount may be removed. Position the mount on the bottom of the stem as shown above. Reattach the top portion of the mount. Tighten both screws evenly making sure it is in the correct position as shown above. Tighten both screws until mount is securely attached to the mirror stem.



**4** - Install the RD onto the mount. We recommend you adjust the RD so it is as close to the bottom of the mirror as possible. Using the vertical adjustment and orienting the double pivot center link, adjust RD upward as far as possible while making sure the mirror dimming switch is still accessible. After all adjustments are made, be sure to check that the pivot and vertical adjustment screws are tight. Grab the long arm of the allen wrench to assure that these screws are securely tightened.



**REMOVING RD STEP - 1**



**REMOVING RD STEP - 2**



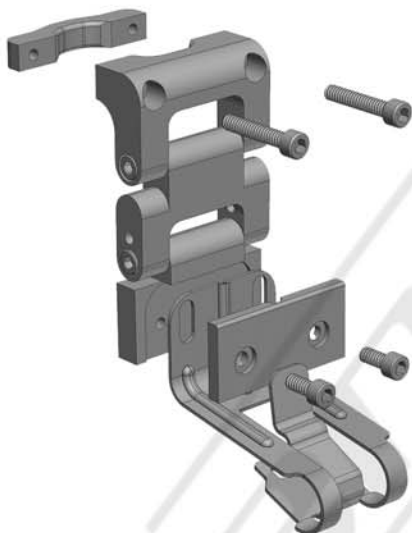
**INSTALLING RD**



**5 -** When removing or installing the RD, squeeze the trigger and the back side of the mount together with one hand, and lift the front of the RD upward with the other hand before sliding the RD off or onto the spring clip. **You must lift the front of the RD upward before sliding it off or onto the mount.**

**6 -** To access the buttons of the RD you will need to gently push downward on the front of the RD with one finger and push the desired button with another finger. Then allow the RD to return to its original position by gently letting it spring upward. When accessing the buttons, be sure to push the RD downward just enough for your finger to fit between the RD and mirror. **Do not push down more than what is needed.**

**NOTE :** This mount can get extremely hot when sitting in direct sunlight. If you intend to remove your RD frequently, you may want to install the two gray "TOUCH STRIPS" included in the tool kit. Place them where your fingers make contact with the mount. They may be trimmed with a blade or knife.



FOR MORE INFO VISIT [www.blendmount.com/videos](http://www.blendmount.com/videos)

**CAUTION**

**DO NOT** use this mount if it interferes with the adjustability or the operation of your rear view mirror in any way.  
**DO NOT** use this mount if the radar detector creates an unsafe viewing obstruction.  
**DO NOT** ATTEMPT TO MODIFY THIS PRODUCT. Consult the manufacturer for assistance.

All BlendMount products are accompanied with detailed installation instructions and adjustment tips. You are encouraged to contact [customerservice@blendmount.com](mailto:customerservice@blendmount.com) or call J28 Design at 1-888-497-8388 for further assistance.

Check the BlendMount Forum for installation tips and some vehicle specific installs.  
[www.blendmount.com](http://www.blendmount.com)

Your feedback is very important to us. Please email any questions or comments you have to [customerservice@blendmount.com](mailto:customerservice@blendmount.com)



BlendMount - US PATENT # D625,580 S, D656,811 S, D653,980 S, D690,245 S, D690,246 S, D690,247 S and other patents pending